

STAINLESS STEEL  
**FILLER TABLES**  
STANDARD SERIES



Item: \_\_\_\_\_  
Model No: \_\_\_\_\_  
Quantity: \_\_\_\_\_  
Project: \_\_\_\_\_

**FEATURES:**

Top is furnished with modern square.  
The under top is reinforced with heavy duty stainless steel base frame and stiffeners.  
Legs are equipped with gussets and adjustable bullet feet for easy levelling. As an option, tables can also be equipped with casters

**CONSTRUCTION:**

Smart finished square nose. Ground and polished for a monolithic appearance  
Under shelf and cross brace are designed adjustable to hold and accommodate different products, cross brace has open front for under counter units, fitted to legs with stainless steel coupling and set screws.

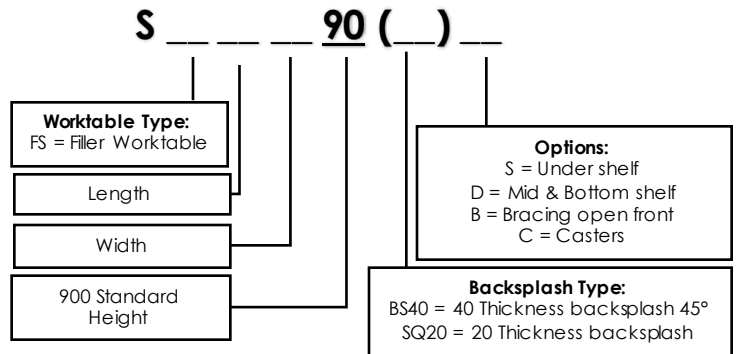


**MATERIAL:**

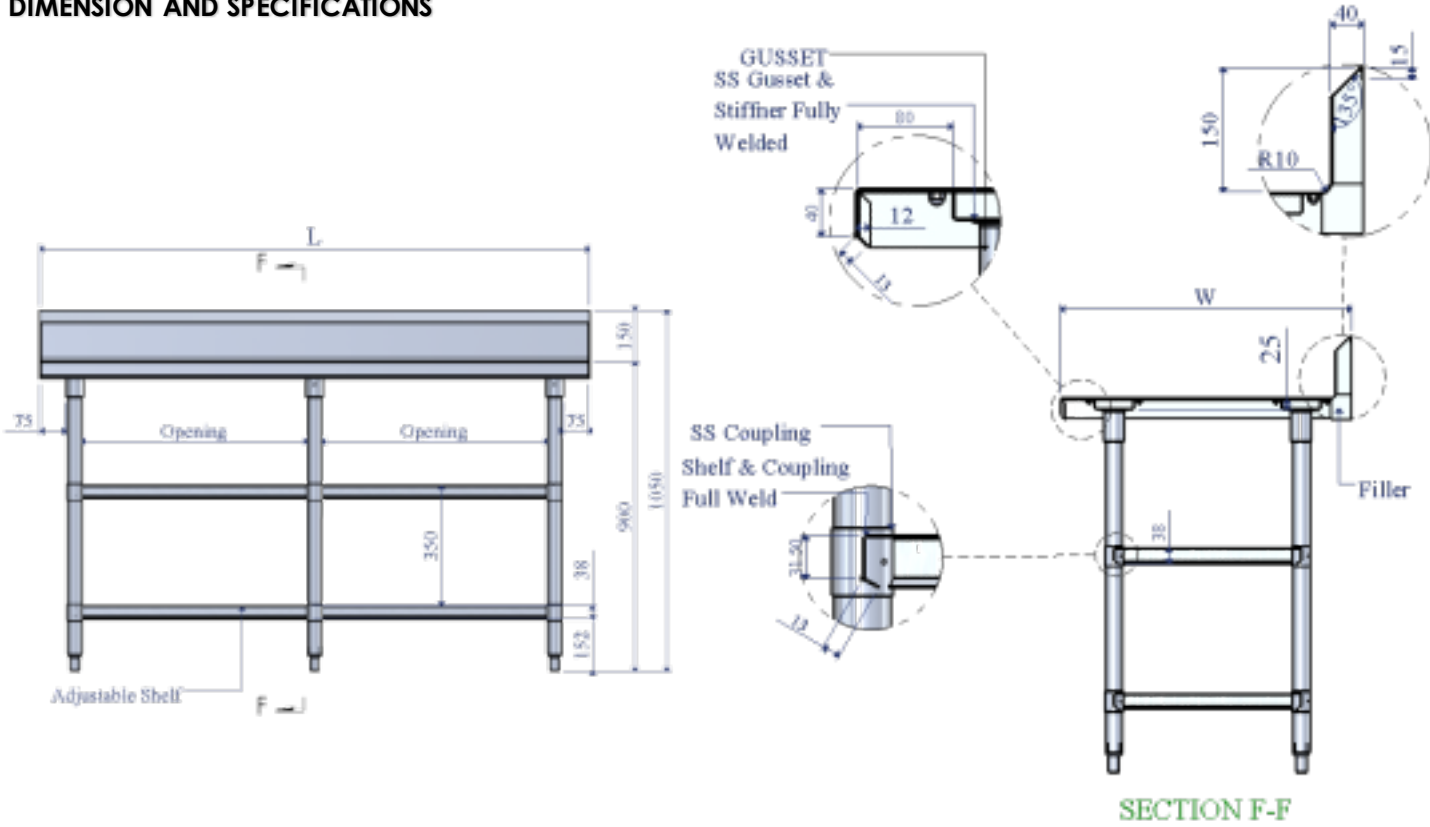
PARTS	S-LINE (STANDARD)
TOP	S/S AISI 304 1.5 mm (16 Gauge) Thickness
UNDER SHELVES	S/S AISI 304 1.2 mm (18 Gauge) Thickness
CROSS BRACE	32Ø Stainless Steel Tube AISI 304
STIFFENERS	S/S AISI 304 1.5 mm (16 Gauge) Thickness
BULLET FEET	Adjustable.
LEGS(ROUND)	41Ø Stainless Steel Tube AISI 304
Sleeve	25Ø Stainless Steel Tube AISI 304
<b>EQUIPMENT BUILT</b>	
FINISH	SMART FINISH & SPOT WELD
SURFACE	HAIRLINE FINISH (#4)
ASSEMBLY /SHIPPING	Complete Knock Down

**Work Table (Filler)**

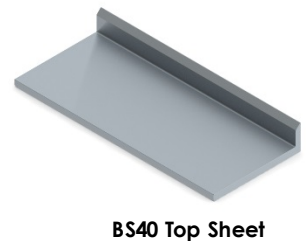
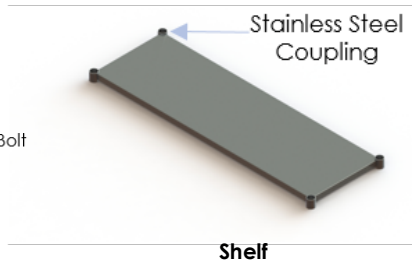
Length	700 Width	800 Width	900 Width
400	SFS407090BS40X	SFS408090BS40X	SFS409090BS40X
450	SFS457090BS40X	SFS458090BS40X	SFS459090BS40X
500	SFS507090BS40X	SFS508090BS40X	SFS509090BS40X
550	SFS557090BS40X	SFS558090BS40X	SFS559090BS40X
600	SFS607090BS40X	SFS608090BS40X	SFS609090BS40X
650	SFS657090BS40X	SFS658090BS40X	SFS659090BS40X



**DIMENSION AND SPECIFICATIONS**



**Options Details :**



**ACCESSORIES :**

