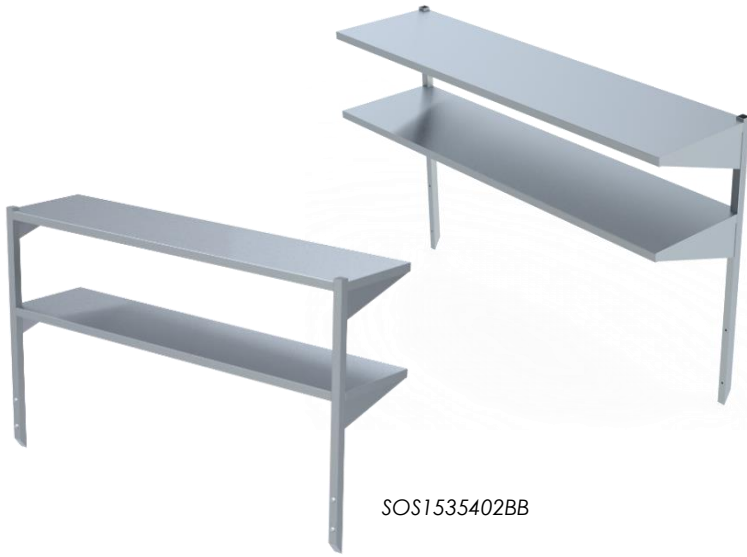


STAINLESS STEEL  
**BACK MOUNTED SHELVES**  
 STANDARD SERIES



SOS1535402BB

Model No: \_\_\_\_\_  
 Quantity: \_\_\_\_\_

**FEATURES:**

Back mounted shelves are furnished with modern square nosing. The uprights are screwed to back panels of equipment.

This type of mounted shelves is not NSF certified.

**CONSTRUCTION:**

square nose, Fully welded, front edges ground and polished for a monolithic appearance.

**MATERIAL:**

PARTS	S-LINE (STANDARD)
SHELVES	S/S 304 1.2MM THICKNESS
UPRIGHTS	SS AISI 304 1.5MM 30x30 SQ. TUBE
SCREW	M10 HEX BOLT
EQUIPMENT BUILT	
SURFACE	HAIRLINE FINISH (304)
ASSEMBLY/ SHIPPING	CKD (Complete Knock Down)

**DIMENSIONS:**

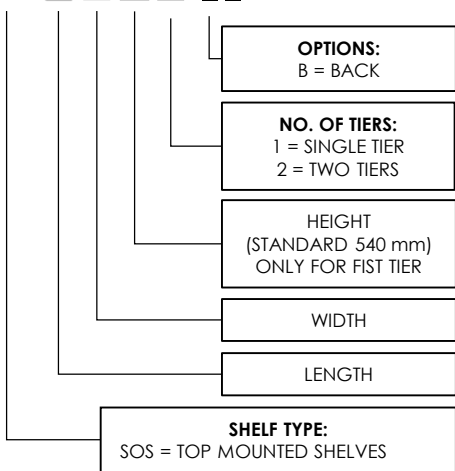
TYPE	350 SERIES		400 SERIES	
	1 TIER	2 TIER	1 TIER	2 TIER
BACK MOUNTED	SOSXX35541BB	SOSXX35542BB	SOSXX40541BB	SOSXX40542BB

**BACK MOUNTED SERIES:**

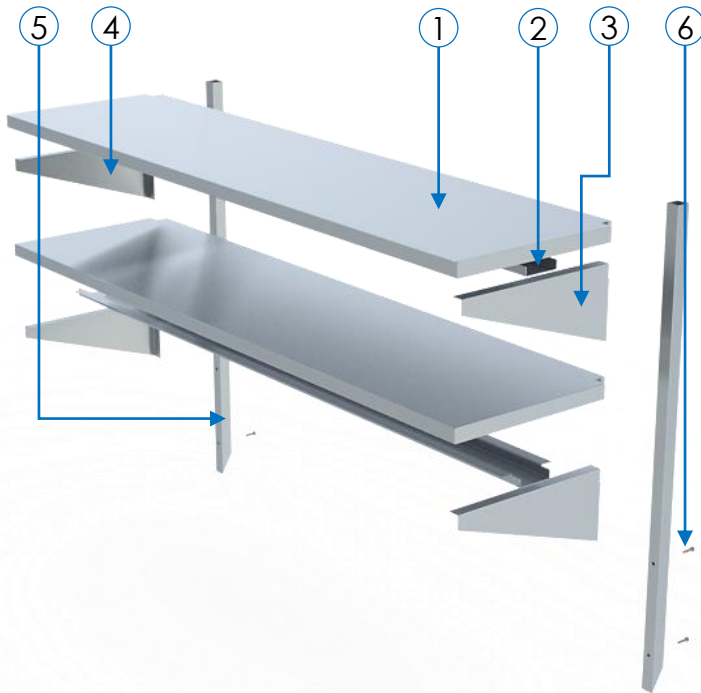
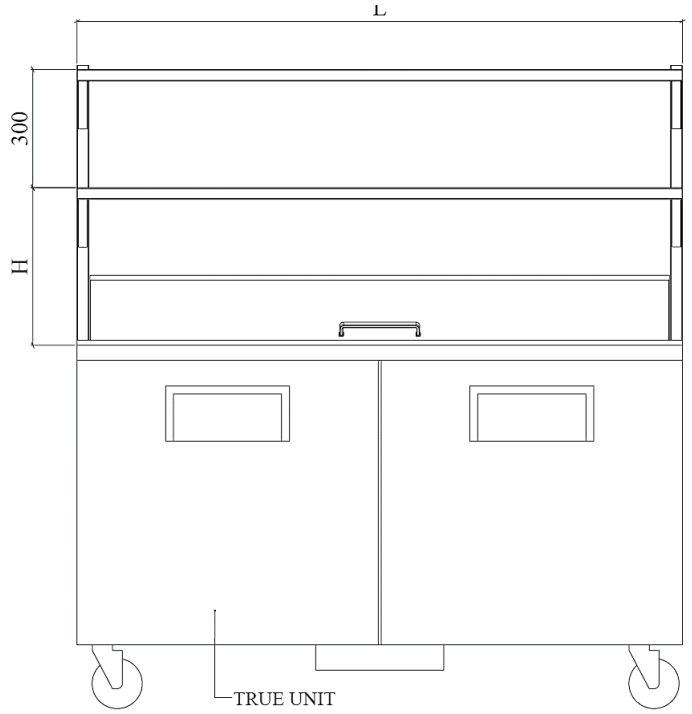
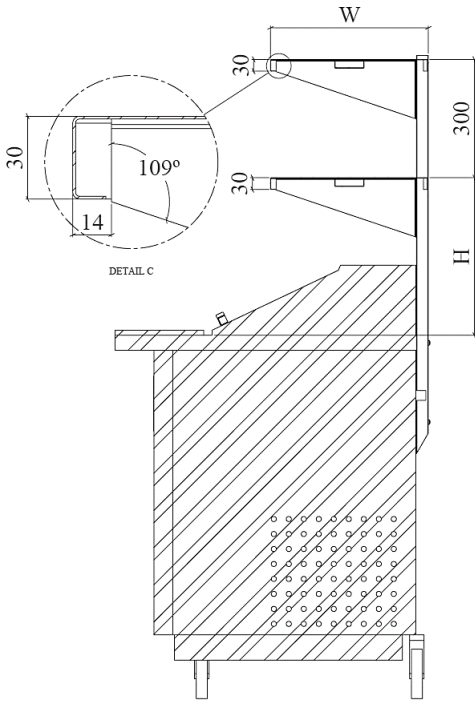
LENGTH	350 SERIES	400 SERIES
1000	SOS103554XBB	SOS104054XBB
1100	SOS113554XBB	SOS114054XBB
1200	SOS123554XBB	SOS124054XBB
1300	SOS133554XBB	SOS134054XBB
1400	SOS143554XBB	SOS144054XBB
1500	SOS153554XBB	SOS154054XBB
*1600	SOS163554XBB	SOS164054XBB
*1700	SOS173554XBB	SOS174054XBB
*1800	SOS183554XBB	SOS184054XBB
*1900	SOS193554XBB	SOS194054XBB
*2000	SOS203554XBB	SOS204054XBB
*2100	SOS213554XBB	SOS214054XBB

\*UNITS EQUIPPED WITH 3 UPRIGHTS

**SOS** \_ \_ \_ **54** \_ \_ **B B**



STAINLESS STEEL  
**BACK MOUNTED SHELVES**  
STANDARD SERIES



NO	DESCRIPTION	SHEET THICKNESS	QTY
1	TOP SHELF	1	2
2	UPPER STIFFENER	1.5	2
3	RIGHT BRACKET	2.0	2
4	LEFT BRACKET	2.0	2
5	UPRIGHT 30X30	1.5	2
6	M10 HEX BOLT	-	4

