

STAINLESS STEEL  
**DUMP STATION**  
COUNTER TOP



Model No: CTD407062

Quantity: \_\_\_\_\_



**FEATURES:**

Top plate is furnished with modern square edge.

The top plate is equipped perforated French fries tray.

Unit is equipped with drip tray under the perforated pan.

Top body is holding a high quality food warmer.

**CONSTRUCTION:**

Fully welded front edges, ground and polished for a monolithic appearance.

**MATERIAL:**

PARTS	S-LINE (STANDARD)
TOP PLATE	S/S 304 1.5MM THICKNESS
DRIP TRAY	S/S 304 1.0MM THICKNESS
BODY CONSTRUCTION	S/S 304 1.0MM THICKNESS
PERFORATED PAN	S/S 304 1.0MM THICKNESS
FOOD WARMER	HATCO GR-24
<b>EQUIPMENT BUILT</b>	
SURFACE	HAIRLINE FINISH (304)
ASSEMBLY/SHIPPING	ASSEMBLED

**DIMENSIONS:**

LENGTH	700(SERIES)
400	CTD407062

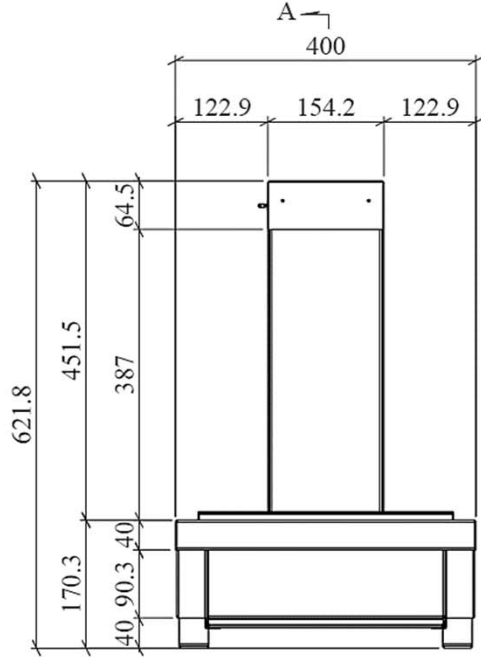
**ACCESSORIES AND OPTIONS (↔) :**



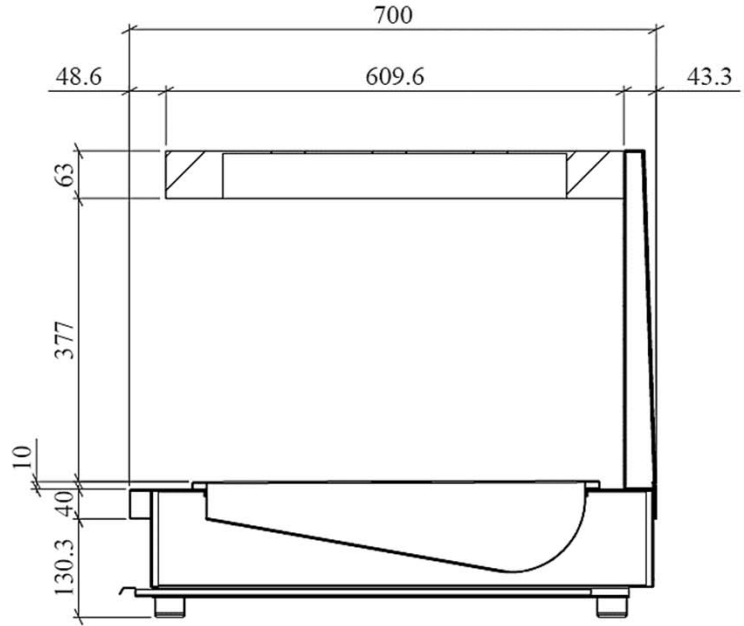
**FOOD WARMER**

STAINLESS STEEL  
**DUMP STATION**  
COUNTER TOP

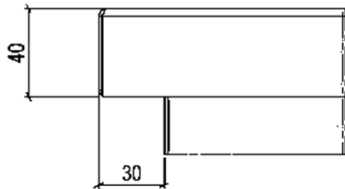
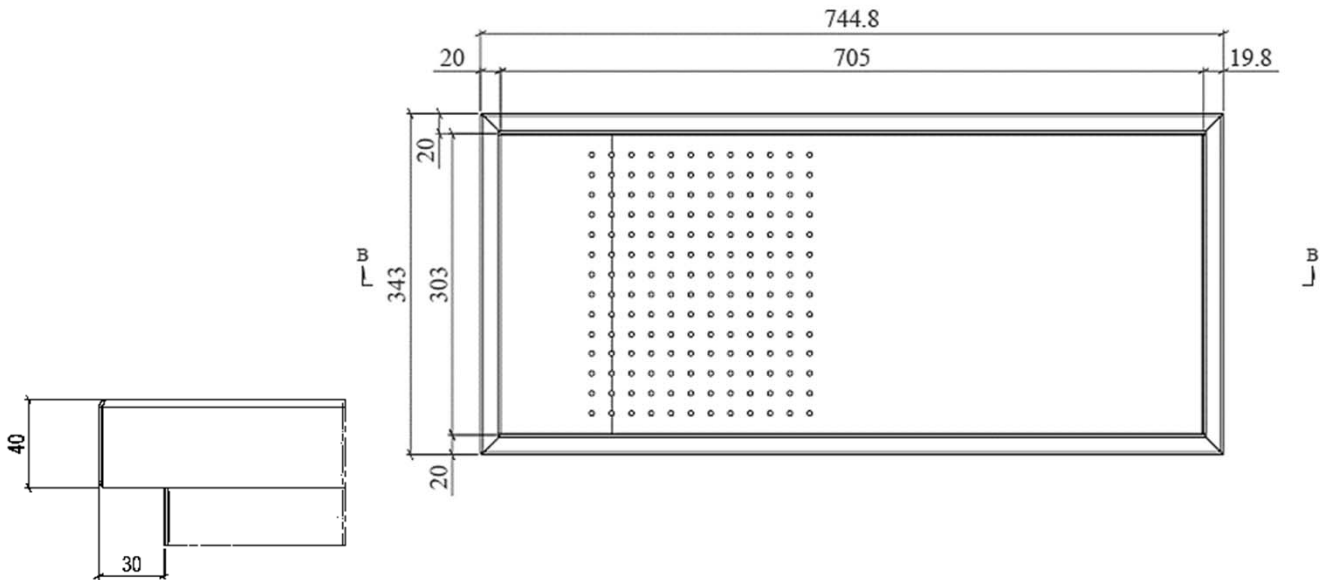
**DIMENSION AND SPECIFICATIONS**



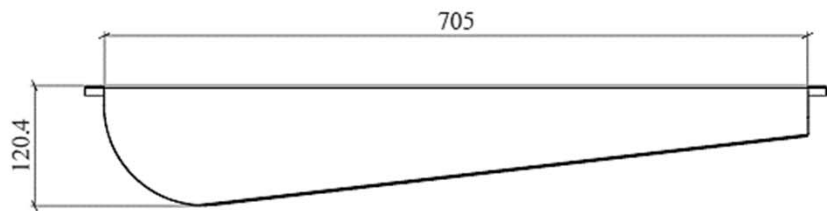
A



SECTION A-A



DETAILED STANDARD EDGE



SECTION B-B

