

STAINLESS STEEL
MOP Sink Standalone
 STANDARD SERIES

Model No: SMPS606470
 Quantity: _____



SMPS606470

FEATURES:

Mop sinks Standalone are built with heavy gauge 16 (1.5mm) stainless steel, fully welded joints with radii on all corners and polished for a smooth finish.

CONSTRUCTION:

Top and sink bowls are Tig welded, polished joints for a monolithic appearance. Fixed with stainless steel offset clips.

MATERIALS:

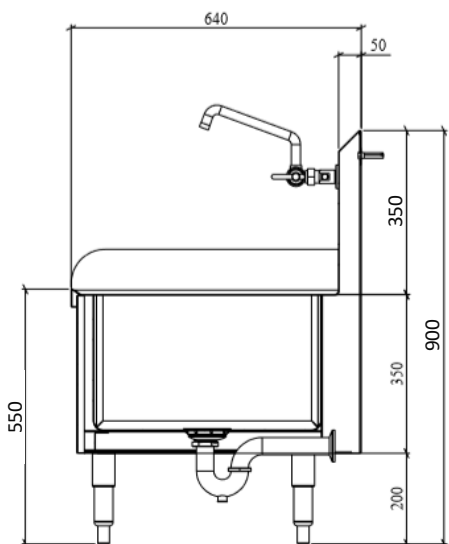
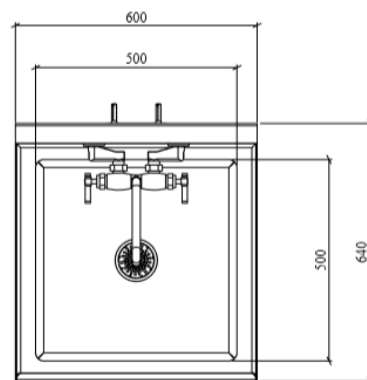
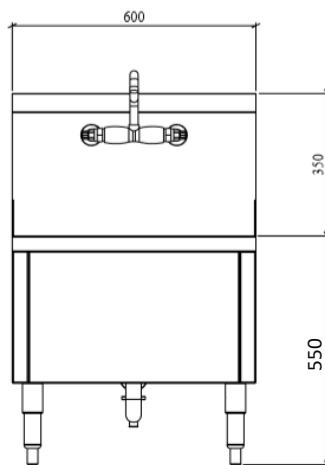
| PARTS | S-LINE (STANDARD) |
|------------------------|----------------------------------|
| TOP | S/S 304 1.5MM THICKNESS 16 Gauge |
| CROSS BRACE | 25MM S/S TUBE |
| STIFFENERS | S/S 304 1.5MM BASE 16 Gauge |
| LEGS (ROUND) | 42MM S/S TUBE |
| WALL MOUNTED FAUCET | KL54-8008-SE4 |
| P-TRAP & TAIL P ILE | SINK P TRAP 1 1-2" METAL |
| SINK STRAINER | SINK STRAINER LD-830 |
| EQUIPMENT BUILT | |
| SURFACE | HAIRLINE FINISH (304) |
| ASSEMBLY/SHIPPING | ASSEMBLE / Faucet Not Assemble |

DIMENSIONS:

| LENGTH | WIDTH | HIGHT |
|--------|-------|---------|
| 600 | 640 | 550+350 |
| 500 | 540 | 550+350 |

SINK BOWL SIZES:

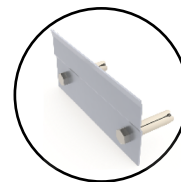
500 x 500 x 300 MM
 400 x 400 x 300 MM



ACCESSORIES AND OPTIONS(↕) :



WALL MOUNTED FAUCET



OFFSET CLIP



HOT & COLD FLEXIBLE HOSES



P-TRAP & TAIL PILE



SINK STRAINER