

STAINLESS STEEL  
**MOP SINK**  
 STANDARD SERIES



SMP596040

Model No: \_\_\_\_\_  
 Quantity: \_\_\_\_\_

**FEATURES:**

Mop sinks are built with heavy gauge 16 (1.5mm) stainless steel, fully welded joints with radii on all corners and polished for a smooth finish.

**CONSTRUCTION:**

Top and sink bowls are Tig welded, polished joints for a monolithic appearance. Fixed with stainless steel offset clips.

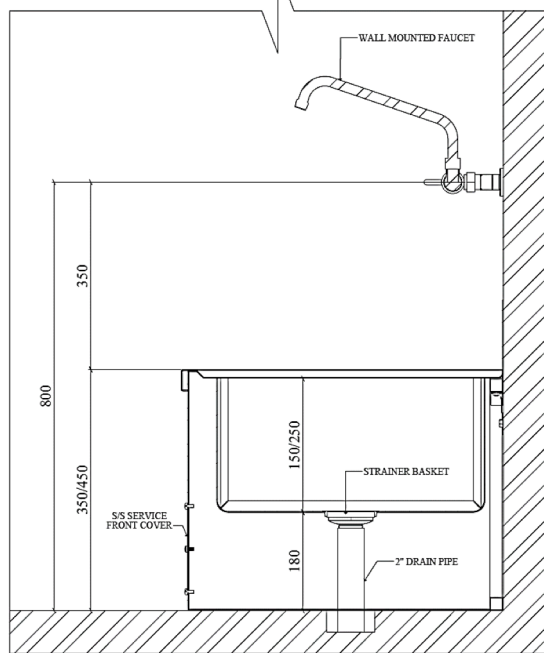
**MATERIALS:**

PARTS	S-LINE (STANDARD)
TOP	S/S 304 1.5MM THICKNESS 16 Gauge
STIFFENERS	S/S 304 1.5MM BASE 16 Gauge
<b>EQUIPMENT BUILT</b>	
SURFACE	HAIRLINE FINISH (304)
ASSEMBLY/SHIPPING	ASSEMBLE / Faucet Not Assemble

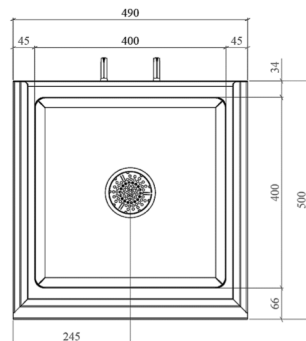
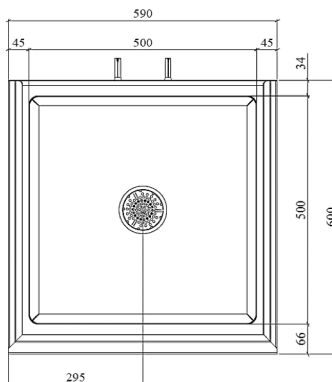
**DIMENSIONS:**

LENGTH	WIDTH	HEIGHT	SINK bowl Size "High Volume"	SINK bowl Size "Low Volume"
490	500	350/450	400x400x250	400x400x150
590	600	350/450	400x400x250	400x400x150

**TYPICAL SECTIONS:**



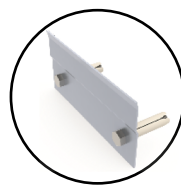
SECTION A-A



**ACCESSORIES AND OPTIONS (↔) :**



WALL MOUNTED FAUCET



OFFSET CLIP



SINK STRAINER



P-TRAP & TAIL PILE