

STAINLESS STEEL  
**SERVICE TROLLEY**  
 STANDARD SERIES

Model No: \_\_\_\_\_  
 Quantity: \_\_\_\_\_



ST10601294



ST8050952

**FEATURES:**

Service trolleys are completely manufactured from stainless steel and equipped with heavy duty caster wheels, 2 with breaks and 2 without breaks, tubes are 32mm welded corners. Including 4 rolling bumpers to protect the trolleys. As Option, come with 2 , 3 and 4 shelves with fully welded

**CONSTRUCTION:**

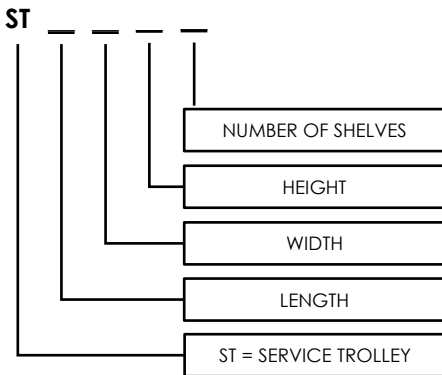
Fully welded structure and polished for a monolithic appearance.

**MATERIALS:**

**DIMENSIONS:**

PARTS	S-LINE (STANDARD)
SHELVES	S/S 304 1.2MM THICKNESS 18 Gauge
STIFFENERS	S/S 304 1.2MM THICKNESS 18 Gauge
TUBULAR FRAME	S/S TUBES 32MMØ, 1.5MM THICKNESS
FOOTING	5" CASTER WHEELS (HEAVY DUTY)
<b>EQUIPMENT BUILT</b>	
SURFACE	HAIRLINE FINISH (304)
ASSEMBLY/SHIPPING	ASSEMBLED

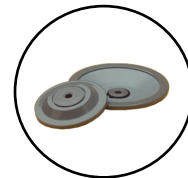
NUMBER OF SHELVES	LENGTH	WIDTH	HEIGHT	CODE
TWO SHELVES	600	500	950	ST6050952
	800	500		ST8050952
	1000	600		ST1060952
THREE SHELVES	600	500	1290	ST6050953
	800	500		ST8050953
	1000	600		ST1060953
FOUR SHELVES	600	500	1290	ST60501294
	800	500		ST80501294
	1000	600		ST10601294



**ACCESSORIES :**

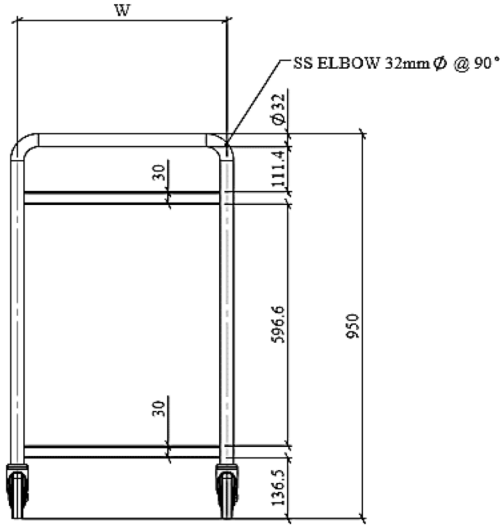


**SWIVEL CASTERS**

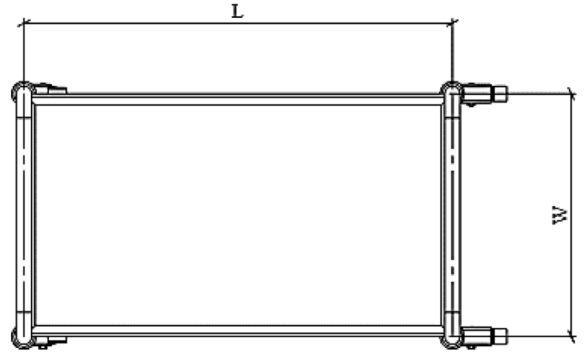


**ROLLING BUMPER**

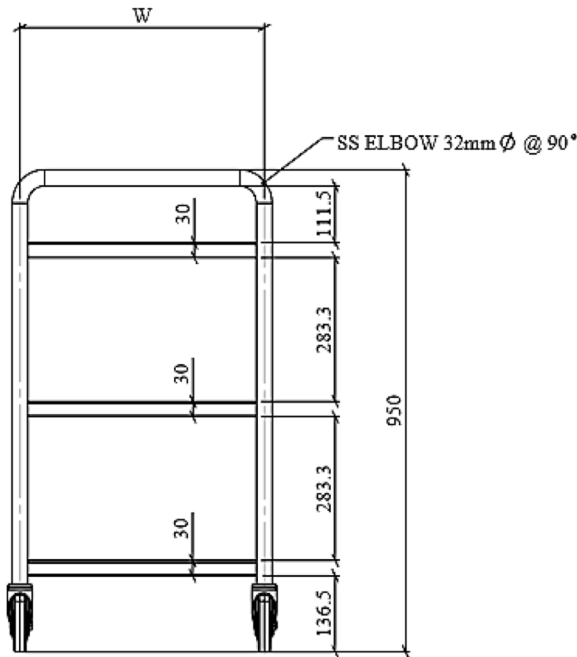
**DIMENSION AND SPECIFICATIONS**



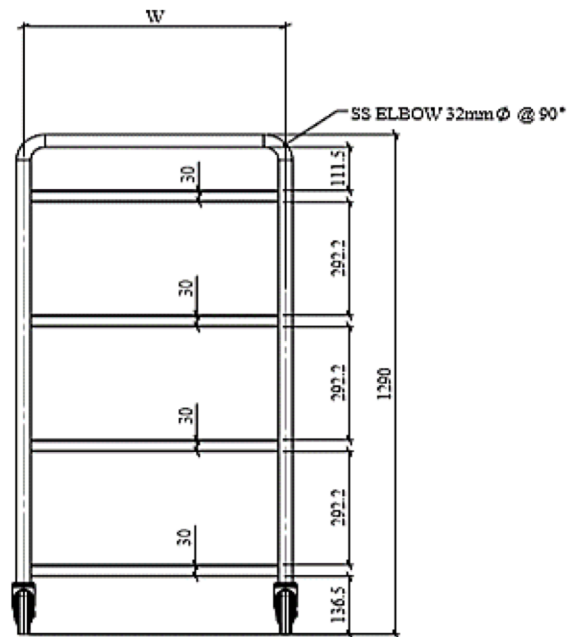
SERVICE TROLLEY - TWO SHELVES



Top View



SERVICE TROLLEY - THREE SHELVES



SERVICE TROLLEY - FOUR SHELVES