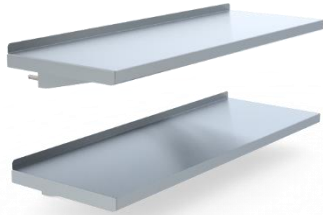


Model No: _____
 Quantity: _____



SSS10035122



SSS1835121

FEATURES:

Solid wall shelf is furnished with modern square nosing with turn-up edge at rear. The wall mounted shelves are NSF certified.

CONSTRUCTION:

square nose, Fully welded, front edges ground and polished for a monolithic appearance.

MATERIAL:

PARTS	S-LINE (STANDARD)
SHELVES	S/S 304 1.2MM THICKNESS
BRACKETS	S/S 304 1.5MM THICKNESS
SCREW	M8 BOLT SHEILD M8 HEX BOLT
EQUIPMENT BUILT	
SURFACE	HAIRLINE FINISH (304)
ASSEMBLY/ SHIPPING	CKD (Complete Knock Down)

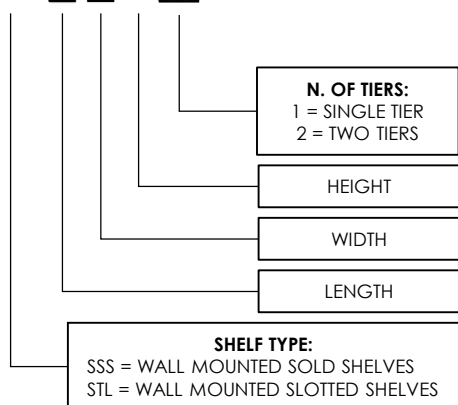
DIMENSIONS:

TYPE		350 SERIES		400 SERIES	
		1 TIER	2 TIER	1 TIER	2 TIER
WALL MOUNTED	SOLID	SSSXXX35121	SSSXXX35122	SSSXXX40121	SSSXXX40122

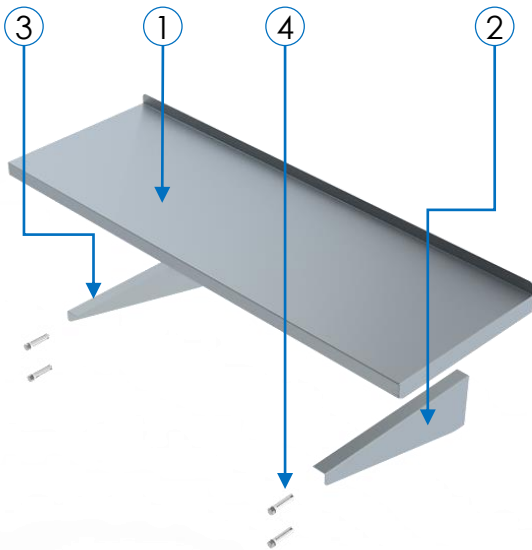
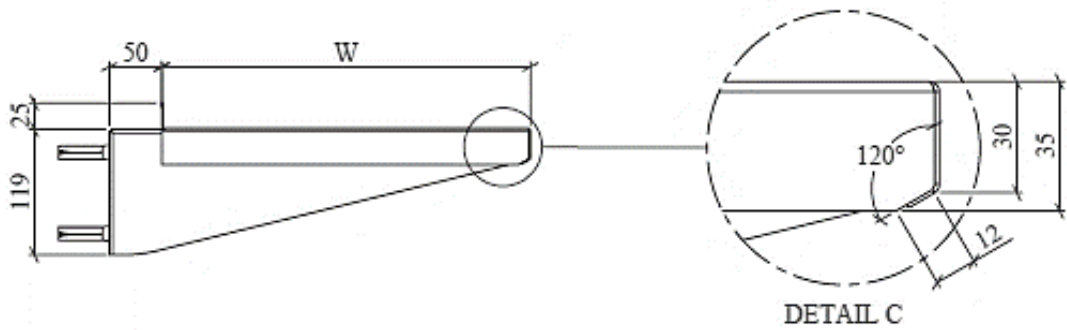
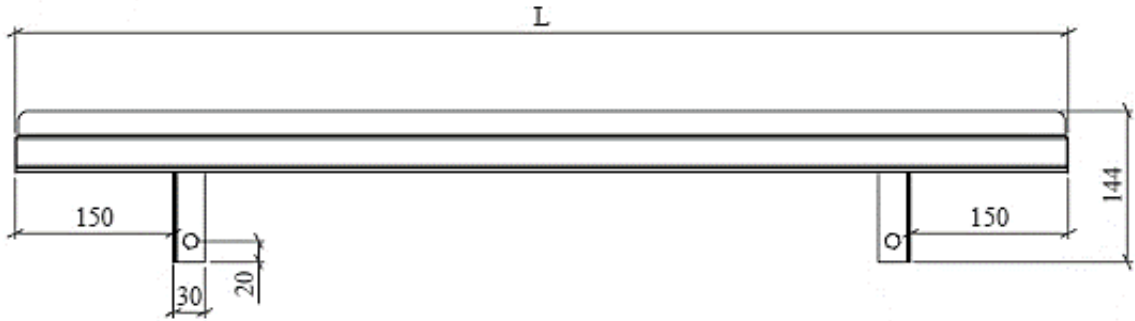
WALL MOUNTED SERIES:

LENGTH	350 SERIES	400 SERIES
1000	SSS1003512X	SSS1004012X
1100	SSS1103512X	SSS1104012X
1200	SSS1203512X	SSS1204012X
1300	SSS1303512X	SSS1304012X
1400	SSS1403512X	SSS1404012X
1500	SSS1503512X	SSS1504012X
*1600	SSS1603512X	SSS1604012X
*1700	SSS1703512X	SSS1704012X
*1800	SSS1803512X	SSS1804012X
*1900	SSS1903512X	SSS1904012X
*2000	SSS2003512X	SSS2004012X
*2100	SSS2103512X	SSS2104012X

SSS _ _ _ 12 _ _



***UNITS EQUIPPED WITH 3 BRACKETS**



NO	DESCRIPTION	SHEET THICKNESS	QTY
1	SHELF	1.5	1
2	RIGHT BRACKET	2	1
3	LEFT BRACKET	2	1
4	M8 HEX SCREW M8 BOLT SHEILD	-	4

INSTALLATION NOTE
INSTALL AT LEAST 60" ABOVE FLOOR
LIMITED TO DRY STORAGE
AVOID CONTACT WITH LIQUIDS
FOR "GANGING-UP" INSTALLATION , ALLOW AT LEAST 2" BETWEEN UNITS OR MOUNT UNITES SIDE BY SIDE AND SEAL JOINTS WITH AN APPROVED SEALANT

STAINLESS STEEL
WALL MOUNTED SHELVES
 SLOTTED SERIES

Model No: _____
 Quantity: _____



STL1835121



STL1035122

FEATURES:

Slotted wall shelf is furnished with modern square nosing with turn-up edge at rear.

Slotted shelves are not NSF certified.

CONSTRUCTION:

square nose, Fully welded, front edges ground and polished for a monolithic appearance.

MATERIAL:

PARTS	S-LINE (STANDARD)
SHELVES	S/S 304 2.0MM THICKNESS
SCREW	M8 BOLT SHEILD M8 HEX BOLT
EQUIPMENT BUILT	
SURFACE	HAIRLINE FINISH (304)
ASSEMBLY/ SHIPPING	CKD (Complete Knock Down)

DIMENSIONS:

TYPE		350 SERIES		400 SERIES	
		1 TIER	2 TIER	1 TIER	2 TIER
WALL MOUNTED	SLOTTED	STL___35121	STL___35122	STL___40121	STL___40122

WALL MOUNTED SERIES:

LENGTH	350 SERIES	400 SERIES
1000	STL1003512 _	STL1004012 _
1100	STL1103512 _	STL1104012 _
1200	STL1203512 _	STL1204012 _
1300	STL1303512 _	STL1304012 _
1400	STL1403512 _	STL1404012 _
1500	STL1503512 _	STL1504012 _
*1600	STL1603512 _	STL1604012 _
*1700	STL1703512 _	STL1704012 _
*1800	STL1803512 _	STL1804012 _
*1900	STL1903512 _	STL1904012 _
*2000	STL2003512 _	STL2004012 _
*2100	STL2103512 _	STL2104012 _

STL _____ 12 _____

N. OF TIERS:
 1 = SINGLE TIER
 2 = TWO TIERS

HEIGHT

WIDTH

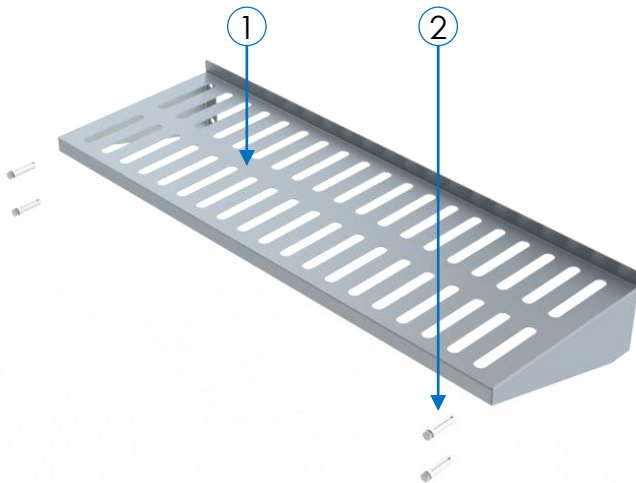
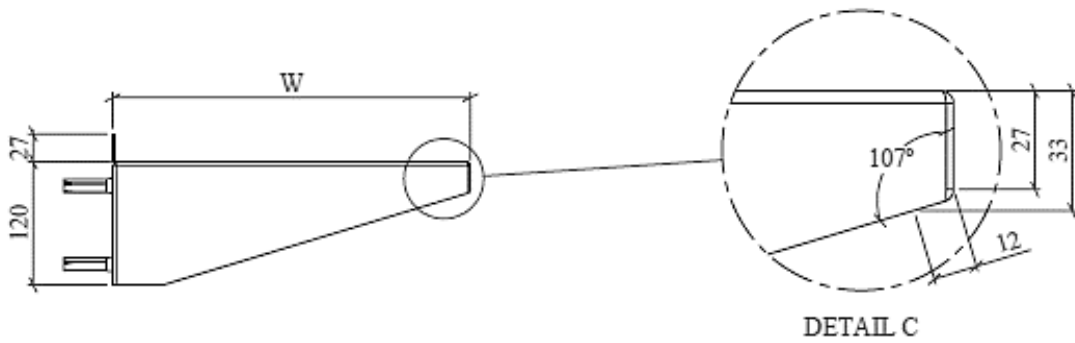
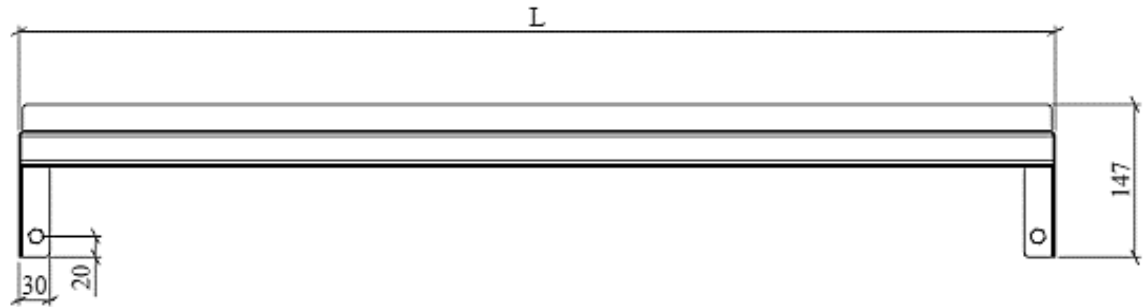
LENGTH

SHELF TYPE:

SSS = WALL MOUNTED SOLD SHELVES
 STL = WALL MOUNTED SLOTTED SHELVES

***UNITS WITH 2 SECTIONS**

STAINLESS STEEL
WALL MOUNTED SHELVES
SLOTTED SERIES



NO	DESCRIPTION	SHEET THICKNESS	QTY
1	SHELF	2.0	1
2	M8 HEX SCREW M8 BOLT SHEILD	-	4

INSTALLATION NOTE
INSTALL AT LEAST 60" ABOVE FLOOR
LIMITED TO DRY STORAGE
AVOID CONTACT WITH LIQUIDS
FOR "GANGING-UP" INSTALLATION , ALLOW AT LEAST 2" BETWEEN UNITS OR MOUNT UNITES SIDE BY SIDE AND SEAL JOINTS WITH AN APPROVED SEALANT